

## Quality Gauge & Valve “Steam-Line” Products

**You won’t get “steamed” with us**

### **TB2042 “Steam Line” Direct Reading Steam/Water Gauges** **For 2000 PSI (Working Steam Pressure) WSP**

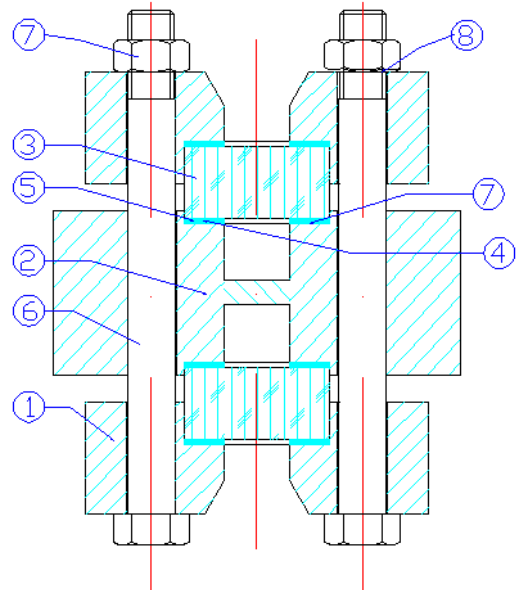
- Durable Construction for Optimal Performance
- A.S.M.E. Sec.1 Compliant
- Recessed Gasket in Chamber and Cover
- Custom Built to Meet Your Requirements
- Spring Washers for Constant Torque
- Special Coating for Steam Service
- Multiple Connections Available
- High Quality Mica Shield for Glass Protection



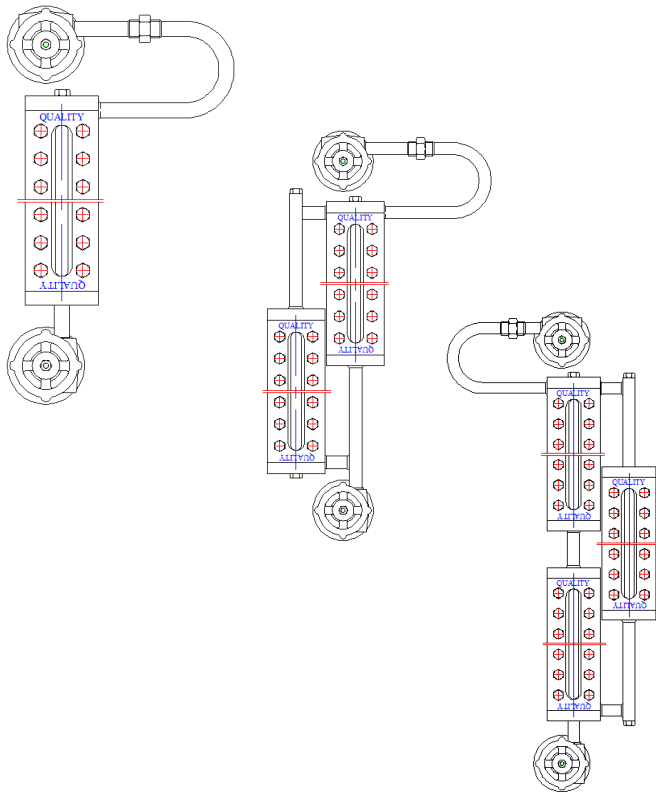
The “Steam Line” TB2042 units are designed for steam service to 2000WSP. These Gauges can be used as Direct Reading Sight Glass for boilers in compliance with A.S.M.E. PG-60. Visible ranges are achieved by using multiple sections with a minimum 1” overlap to ensure continuous visibility. The gauge chamber is full width with a ½” vision slot, and reinforced with internal tie bars to add durability to the product. This will remove the possibility of lateral deflection, which can cause early gasket failure. All units are supplied with recessed gasket seats and forged covers which allow for easy and inexpensive maintenance.

#### Materials of Construction:

- |                         |                            |
|-------------------------|----------------------------|
| 1) Cover:               | Forged Carbon Steel        |
| 2) Chamber:             | Carbon Steel-Full Width    |
| 3) Glass:               | High Pressure Borosilicate |
| 4) Gaskets:             | Grafite c/w SS binder      |
| 5) Mica                 | HQ Mica                    |
| 6) U-Bolts:             | A193-B7                    |
| 7) Nuts:                | A194-2H                    |
| 8) Washers              | 17-7 PH S.S.               |
| 9) Heavy Duty Exp. Coil | CS                         |



## Steam-Line TB2042 – 2000WSP Steam/Water Gages



Model	Visible (Inches)	Glass (mm)
Q16TB2042	9	229
Q17TB2042	10-1/8	257
Q18TB2042	11-3/4	299
Q19TB2042	12-1/2	318
Q26TB2042	17-1/8	435
Q27TB2042	19-3/8	492
Q28TB2042	22-5/8	575
Q29TB2042	24-1/8	613
Q37TB2042	28-5/8	727
Q38TB2042	33-1/2	851
Q39TB2042	35-3/4	908
Q47TB2042	37-7/8	962
Q48TB2042	44-3/8	1127
Q49TB2042	47-3/8	1203
Q58TB2042	55-1/4	1403
Q59TB2042	59	1499

Connection Type	
SW	Socket Weld
FL	Flange

Connection Location	
CH	Side/Side Connected
TCH	Top Side/Bottom Connected
BCH	Bottom Side/Top Connected

GAUGE CONNECTION OPTIONS	
SOCKETWELD	FLANGE (GAUGE TO VALVE FLANGED OPTIONAL)

**Connection Sizes Available:** 1/2"  
3/4"  
1"

**Quotation Information Required:** Maximum Operating Steam Pressure  
Steam Water Connection Size & Type  
Valve Requirements